



**jászplasztik**  
Battery Division

## Technical data sheet

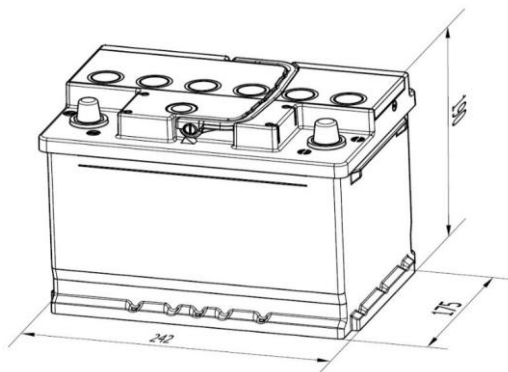
### Starter battery

Battery type	12V 60Ah +R L2 EFB	Product code	<b>EFB0600</b>
--------------	--------------------	--------------	----------------

Specification	
Nominal voltage	12 V
Capacity (C20)	60 Ah at 25°C to 10,5V
Reserve capacity (25A discharge)	90 min
Cold cranking current (EN 18°C)	680 A
Cold cranking current (DIN 18°C)	485 A
Weight	16.6 kg ± 5%
Technology	Flooded/SLI

Overall dimensions	
Length	242 +0/-2 mm
Width	175 +0/-2 mm
Height	190 +0/-3 mm
Base hold-down	B13
Layout	0
Terminal type	1
Container material	PP
Box color	Black
Lid color	Black

Electrolyte	
Electrolyte type	H <sub>2</sub> SO <sub>4</sub>
Electrolyte spec density at 25°C	1,28 ± 0,01 g/cm <sup>3</sup>



Cell properties	
Grid prod. technology	Punched
+ grid alloy	PbCa
(-) grid	
Grid prod. technology	Continuous casted
- grid alloy	PbCa
Separator	
Type	PE
Thickness	GM 1,0 + 0,2 mm

Drawings	
Base hold-down	Layout

Terminal type	Key characteristics
	<ul style="list-style-type: none"> <li>-Absolute maintenance free</li> <li>-Wide range of application</li> <li>-Universal EN design</li> <li>-Lid type: K2 with push in plug</li> <li>-Twice cycle life</li> <li>-Highest vibration resistance</li> </ul>

