

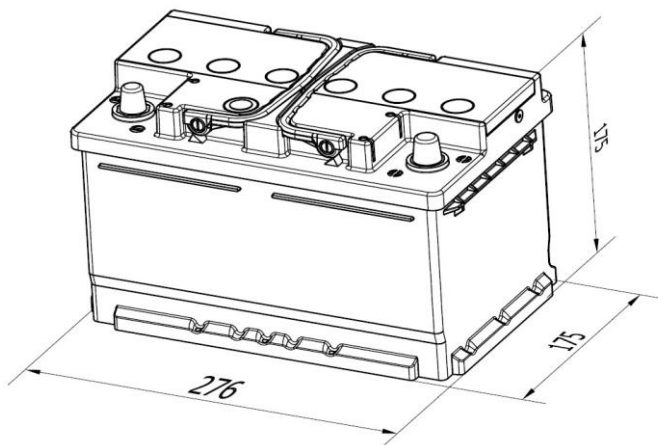


Battery type	12V 70Ah +R LB3 EFB	Product code	EFB0700
--------------	---------------------	--------------	----------------

Specification	
Nominal voltage	12 V
Capacity (C20)	70 Ah at 25°C to 10,5V
Reserve capacity (25A discharge)	108 min
Cold cranking current (EN 18°C)	720 A
Cold cranking current (DIN 18°C)	500 A
Weight	17.6 kg ± 5%
Technology	Flooded/SLI

Overall dimensions	
Length	276 +0/-2 mm
Width	175 +0/-2 mm
Height	175 +0/-3 mm
Base hold-down	B13
Layout	0
Terminal type	1
Container material	PP
Box color	Black
Lid color	Black

Electrolyte	
Electrolyte type	H ₂ SO ₄
Electrolyte spec density at 25°C	1.28 ± 0.01 g/cm ³



Cell properties	
Grid prod. technology	Punched
+ grid alloy	Pbca
(-) grid	
Grid prod. technology	Continuous casted
- grid alloy	PbCa
Separator	
Type	PE
Thickness	GM 1,0 + 0,2 mm

Drawings	
Base hold-down	Layout

Terminal type	Key characteristics
	<ul style="list-style-type: none"> -Absolute maintenance free -Wide range of application -Universal EN design -Lid type: K2 with push in plug -Twice cycle life -Highest vibration resistance

