

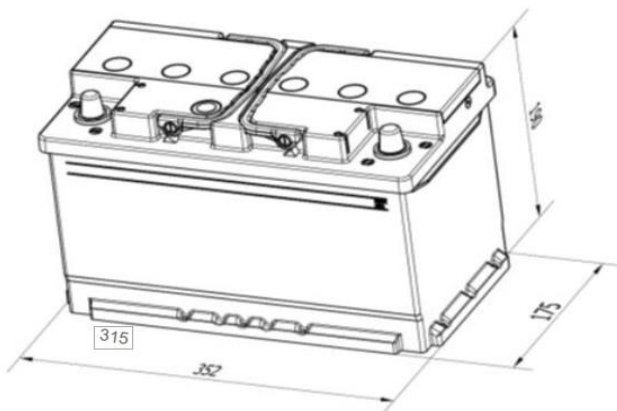


|              |                    |              |                |
|--------------|--------------------|--------------|----------------|
| Battery type | 12V 80Ah +R L4 EFB | Product code | <b>EFB0800</b> |
|--------------|--------------------|--------------|----------------|

| Specification                    |                        |
|----------------------------------|------------------------|
| Nominal voltage                  | 12 V                   |
| Capacity (C20)                   | 80 Ah at 25°C to 10,5V |
| Reserve capacity (25A discharge) | 138 min                |
| Cold cranking current (EN 18°C)  | 820 A                  |
| Cold cranking current (DIN 18°C) | 530 A                  |
| Weight                           | 21,5 kg ± 5%           |
| Technology                       | Flooded/SLI            |

| Overall dimensions |              |
|--------------------|--------------|
| Length             | 315 +0/-2 mm |
| Width              | 175 +0/-2 mm |
| Height             | 190 +0/-3 mm |
| Base hold-down     | B13          |
| Layout             | 0            |
| Terminal type      | 1            |
| Container material | PP           |
| Box color          | Black        |
| Lid color          | Black        |

| Electrolyte                      |                                |
|----------------------------------|--------------------------------|
| Electrolyte type                 | H <sub>2</sub> SO <sub>4</sub> |
| Electrolyte spec density at 25°C | 1.28 ± 0.01 g/cm <sup>3</sup>  |



| Cell properties       |                   |
|-----------------------|-------------------|
| Grid prod. technology | Punched           |
| + grid alloy          | PbCa              |
| (-) grid              |                   |
| Grid prod. technology | Continuous casted |
| - grid alloy          | PbCa              |
| Separator             |                   |
| Type                  | PE                |
| Thickness             | GM 1,0 + 0,2 mm   |

| Drawings       |        |
|----------------|--------|
| Base hold-down | Layout |
|                |        |

| Terminal type | Key characteristics   |
|---------------|---|
|               | <ul style="list-style-type: none"> <li>-Absolute maintenance free</li> <li>-Wide range of application</li> <li>-Universal EN design</li> <li>-Lid type: K2 with push in plug</li> <li>-Twice cycle life</li> <li>-Highest vibration resistance</li> </ul> |

