



jászplastik

Battery Division

Technical data sheet

Starter battery

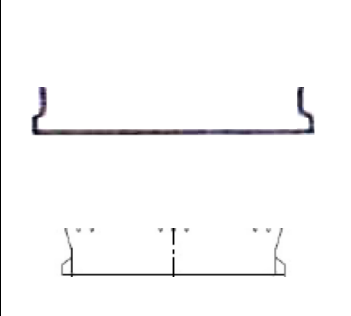
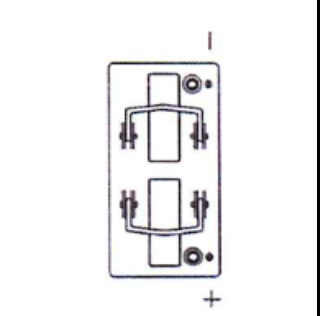
Battery type	12V 115Ah +L Tipo C13	Product code	GB1151
---------------------	------------------------------	---------------------	---------------

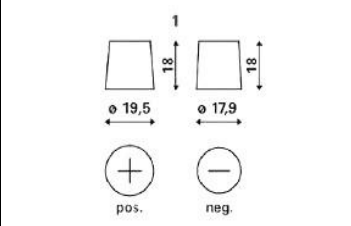
Specification	
Nominal voltage	12 V
Capacity (C20)	115 Ah at 25°C to 10,5V
Cold cranking current (EN 18°C)	720 A
Cold cranking current (DIN 18°C)	420 A
Weight	24.5 kg ± 5%
Technology	Flooded/SLI

Overall dimensions	
Length	344 +0/-4 mm
Width	171 +0/-2 mm
Height	232 +0/-3 mm
Base hold-down	B00
Layout	1
Terminal type	1
Container material	PP
Box color	Black
Lid color	Black
Plug	

Electrolyte	
Electrolyte type	H ₂ SO ₄
Electrolyte spec density at 25°C	1.28 ± 0.01 g/cm ³

Cell properties	
Grid prod. technology	Gravity casted
+ grid alloy	PbSb
+ strip / grid thickness	1.7 mm
(-) grid	Dk1.3
Grid prod. technology	Gravity casted
- grid alloy	PbSb
- strip / grid thickness	1.3 mm
Separator	
Type	PE
Thickness	1.4 mm

Drawings	
Base hold-down	Layout
	

Terminal type	Key characteristics
	<ul style="list-style-type: none"> - Low water consumption - Meets EN requirement (EN 2) and vibration resistance (V1)

